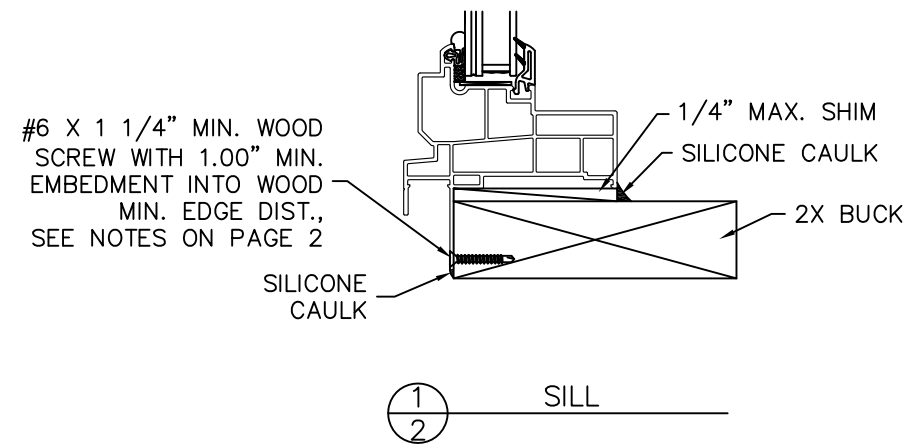
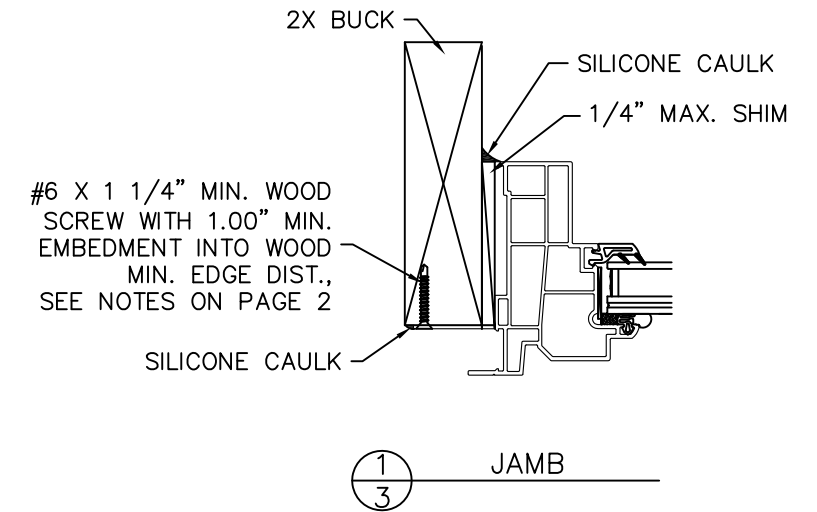
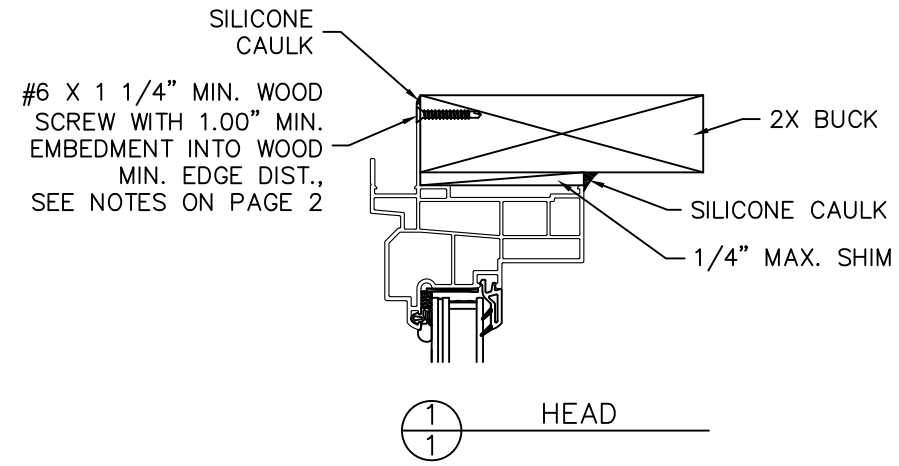
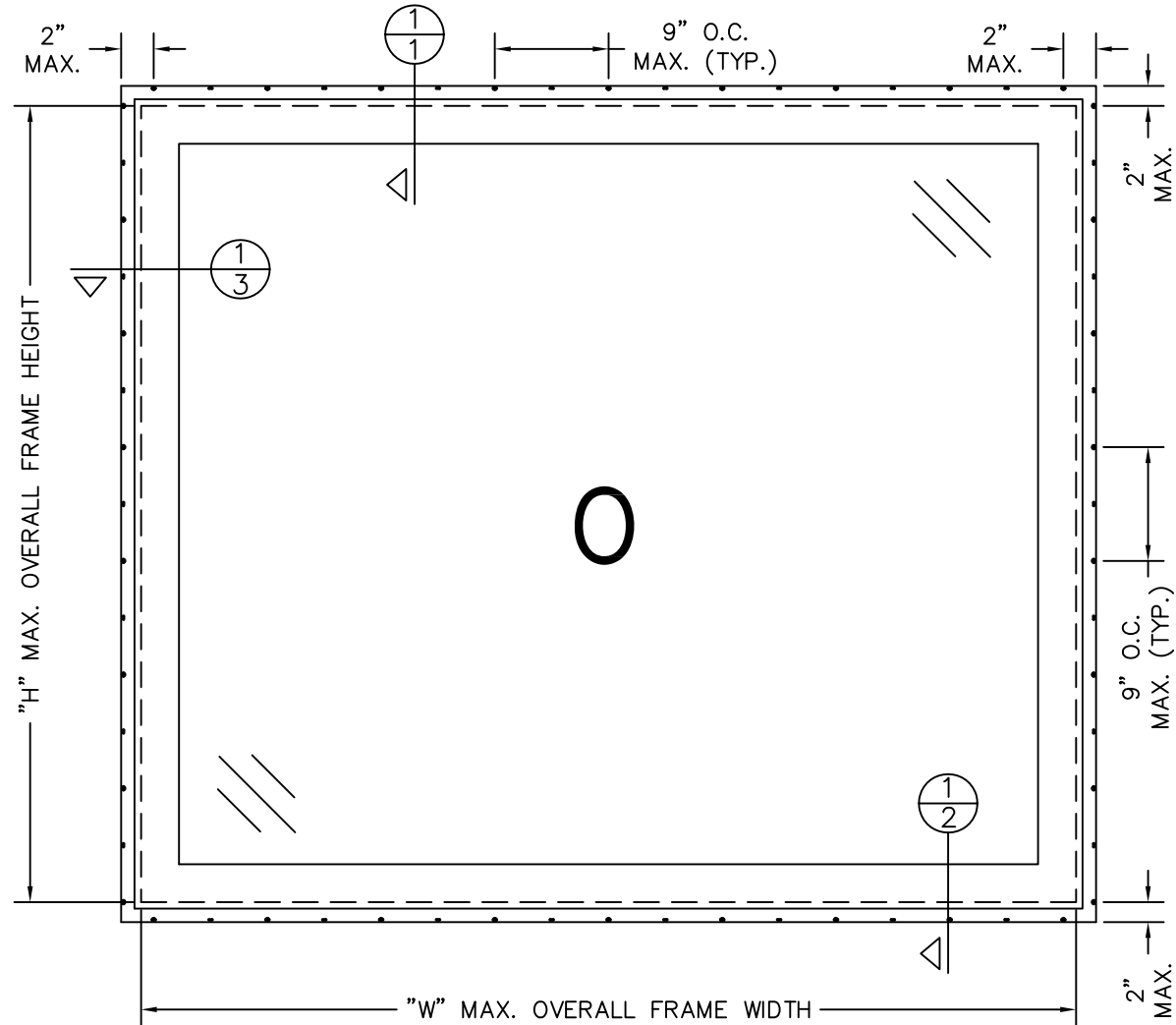


MODEL DESIGNATION: Simonton Series 07-20 Vinyl Impact Fixed Window
MAXIMUM OVERALL NOMINAL SIZE: See Size Chart
DESIGN PRESSURE RATING: See Size Chart
USABLE CONFIGURATIONS: 0
GENERAL DESCRIPTION: The head, sill, and side jambs are extruded PVC. The wall thickness through which the anchor screw penetrates is a minimum of 0.070".

NO P.E. SEAL REQUIRED
 INSTALLATION SUPPORTED
 BY AAMA TEST REPORTS

REV. #	REVISIONS:	REVISED BY:	DATE:
2	UPDATED GLAZING DETAILS PER NEW TESTING.	T.D.D.	04/29/11
3	ADDED MIN. EDGE DIST. NOTE.	B.J.S.	06/17/15
4	ADDED NOTES 11 & 12 - AAMA 800	LMH	08/19/16
5	ADDED SIZE CHART	LMH	10/04/18
6	UPDATED FOR 7TH EDITION 2020 FBC.	LMH	12/06/20



OVERALL SIZE			DP RATING
WIDTH "W"	HEIGHT "H"		
37"	84"		±50 PSF
74"	63"		±55 PSF

<p>DISCLOSURE STATEMENT This document is the property of Simonton Windows, which retains all proprietary and other rights to its subject matter. This document is provided to the recipient on the expressed condition that it is not to be disclosed, reproduced in whole or part, nor used in conjunction with the design, manufacture or repair of goods for anyone other than Simonton Windows without its consent. This restriction does not limit the recipient's rights to utilize information contained in this document which is properly obtained from another source.</p>	<p>MATERIAL:</p>		<p>Dimensional Tolerances Unless Otherwise Specified</p> <p>Decimals Angles</p> <p>.X ± .03 .XX ± .01 .XXX ± .005</p>	<p>SIMONTON WINDOWS 1 Cochrane Avenue Pennsboro, WV 26415</p>	<p>SIZE: DRAWING NO.: B IN0517</p>	<p>REV.: 6</p>
	<p>RMS FINISH: EXCEPT AS NOTED</p>	<p>ALLOY & TEMPER:</p>			<p>DRAWN BY: T.D.D.</p>	<p>DATE: 03/21/11</p>
	<p>WEIGHT:</p>	<p>VOLUME:</p>			<p>CHECKED BY:</p>	<p>DATE:</p>
	<p>SURFACE AREA:</p>	<p>PERIMETER:</p>			<p>APPR'VD BY:</p>	<p>DATE:</p>
	<p>FINISH TREATMENT:</p>	<p>SCALE: FIT SHEET: 1 of 2</p>			<p>SERIES: 07-20 IMPACT PICTURE (FIXED) WINDOW</p>	
<p>FILE: FL 228</p>	<p>TITLE: 2X BUCK INSTALLATION (AS TESTED)</p>					

MODEL DESIGNATION: Simonton Series 07-20 Vinyl Impact Fixed Window

MAXIMUM OVERALL NOMINAL SIZE: Single up to 74" x 63"

DESIGN PRESSURE RATING: Positive: 55.0 PSF
Negative: 55.0 PSF

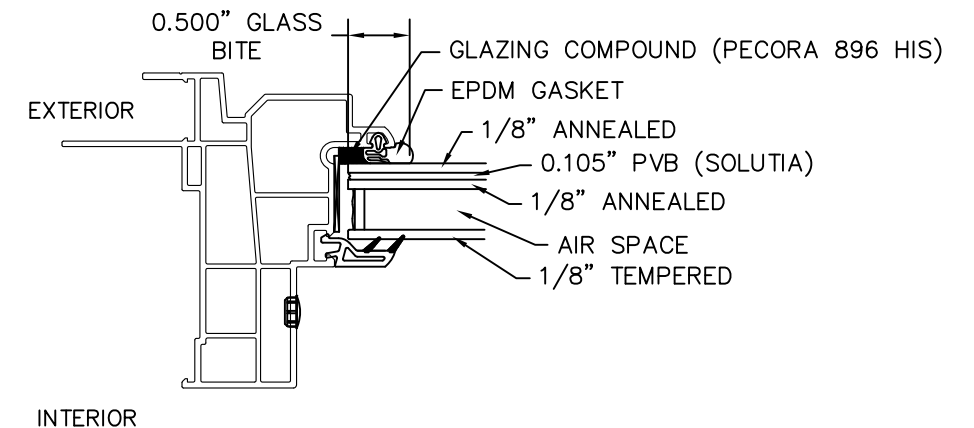
USABLE CONFIGURATIONS: O

GENERAL DESCRIPTION: The head, sill, and side jambs are extruded PVC. The wall thickness through which the anchor screw penetrates is a minimum of 0.070".

REV. #	REVISIONS:	REVISED BY:	DATE:
2	UPDATED GLAZING DETAILS PER NEW TESTING.	T.D.D.	04/29/11
3	ADDED MIN. EDGE DIST. NOTE.	B.J.S.	06/17/15
4	ADDED NOTES 11 & 12 - AAMA 800	LMH	08/19/16
5	ADDED SIZE CHART	LMH	10/04/18
6	UPDATED FOR 7TH EDITION 2020 FBC.	LMH	12/06/20

NOTES:

1. This installation has been evaluated for use in locations adhering to the Florida Building Code and where design pressure requirements as determined by ASCE 7 Minimum Design Loads for Buildings and Other Structures do not exceed the design pressure ratings listed herein.
2. All exterior perimeter surfaces of the window must be caulked. Interior caulking is optional unless noted otherwise.
3. Anchors shall be specified and spaced as shown. Anchor embedment into base material shall be beyond wall dressing or stucco and into wood.
4. Wood bucks (by others) must be engineered and anchored properly to transfer loads to the structure.
5. The responsibility for selection of Simonton products to meet any applicable local laws, building codes, ordinances, or other safety requirements rests solely with the architect, building owner, or contractor.
6. Shims are optional. Max. shim stack is 1/4".
7. Installation screws must be a minimum of 1/2" from the edge of the wood.
8. When used in areas requiring impact protection, this product DOES NOT REQUIRE the use of impact resistant shutters or other external protection.
9. Flashing should be applied using the ASTM E 2112 methodology appropriate for the opening into which the window is being installed.
10. Glazing shall comply with ASTM E 1300.
11. Designation "X" and "O" stand for the following: X: Operable Panel - O: Fixed Panel.
12. Use a backer rod on all joints >3/4" deep and/or wider than 1/4". Finished caulk joint should be a minimum of 3/8" deep.



1" INSULATED TEMPERED/ANNEALED IMPACT RESISTANT GLASS GLAZING DETAIL (0.105" PVB)

<p align="center">DISCLOSURE STATEMENT</p> <p>This document is the property of Simonton Windows, which retains all proprietary and other rights to its subject matter. This document is provided to the recipient on the expressed condition that it is not to be disclosed, reproduced in whole or part, nor used in conjunction with the design, manufacture or repair of goods for anyone other than Simonton Windows without its consent. This restriction does not limit the recipient's rights to utilize information contained in this document which is properly obtained from another source.</p>	<p>MATERIAL:</p>		<p align="center">Dimensional Tolerances Unless Otherwise Specified</p> <p>Decimals Angles</p> <p>.X ± .03 0° 30 min.</p> <p>.XX ± .01</p> <p>.XXX ± .005</p>	<p>1 Cochrane Avenue Pennsboro, WV 26415</p>	<p>SIZE: DRAWING NO.: B IN0517</p>	<p>REV.: 6</p>
	<p>RMS FINISH: EXCEPT AS NOTED</p>	<p>ALLOY & TEMPER:</p>			<p>DRAWN BY: T.D.D.</p>	<p>DATE: 03/21/11</p>
	<p>WEIGHT:</p>	<p>VOLUME:</p>			<p>CHECKED BY:</p>	<p>DATE:</p>
	<p>SURFACE AREA:</p>	<p>PERIMETER:</p>			<p>APPR'VD BY:</p>	<p>DATE:</p>
	<p>FINISH TREATMENT:</p>	<p>SCALE: FIT</p>			<p>SHEET: 2 of 2</p>	<p>SERIES: 07-20 IMPACT PICTURE (FIXED) WINDOW</p>
<p>FILE: FL 228</p>	<p>TITLE: NOTES & GLAZING DETAILS</p>					